

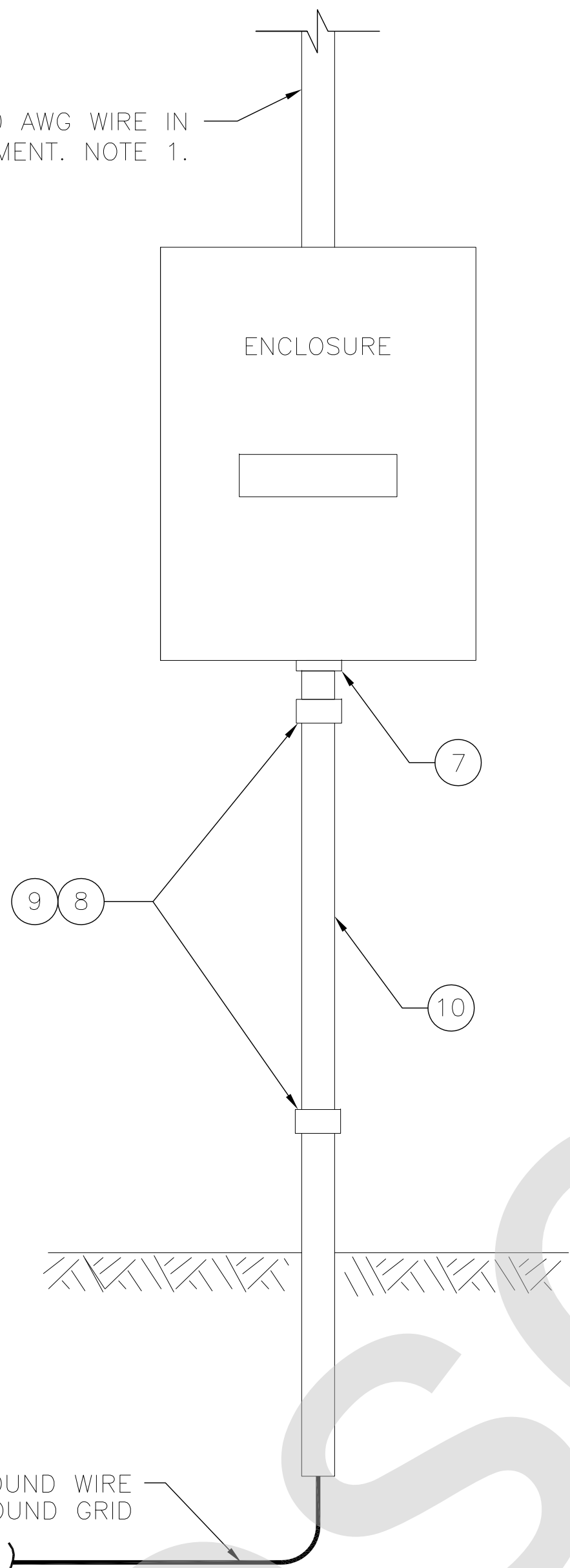
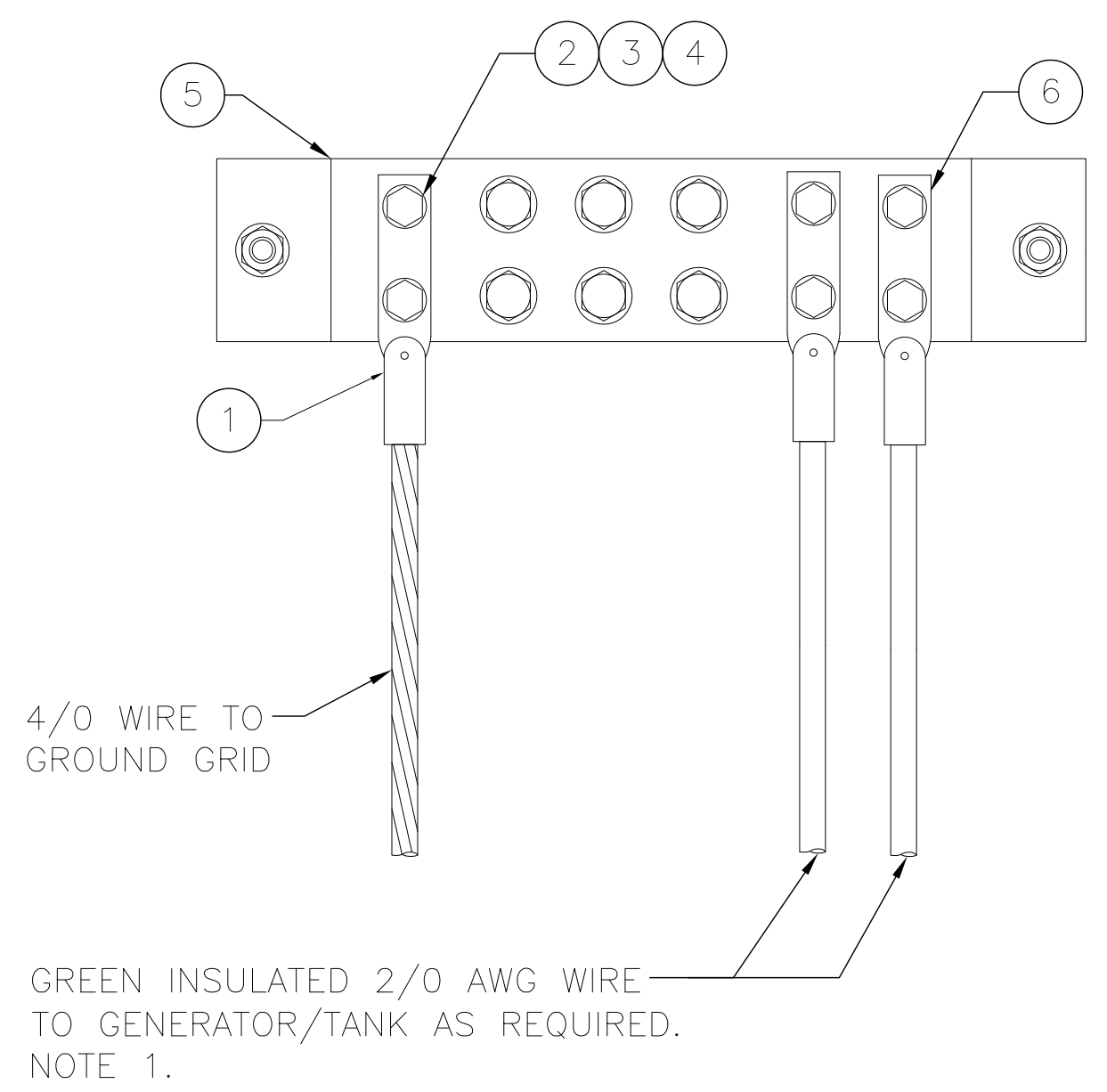
NOTES:

- CONNECT GROUND CONDUCTORS TO EQUIPMENT AS REQUIRED BY THE MANUFACTURERS SPECIFICATION.

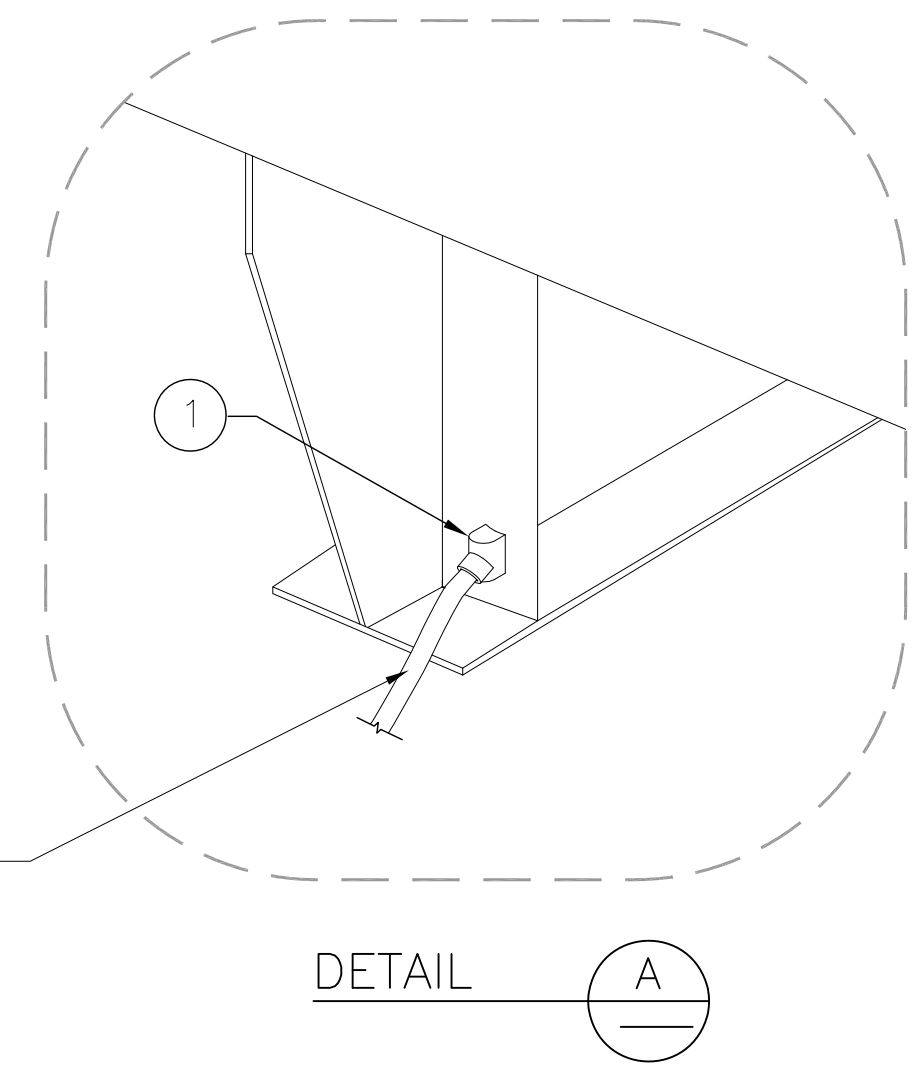
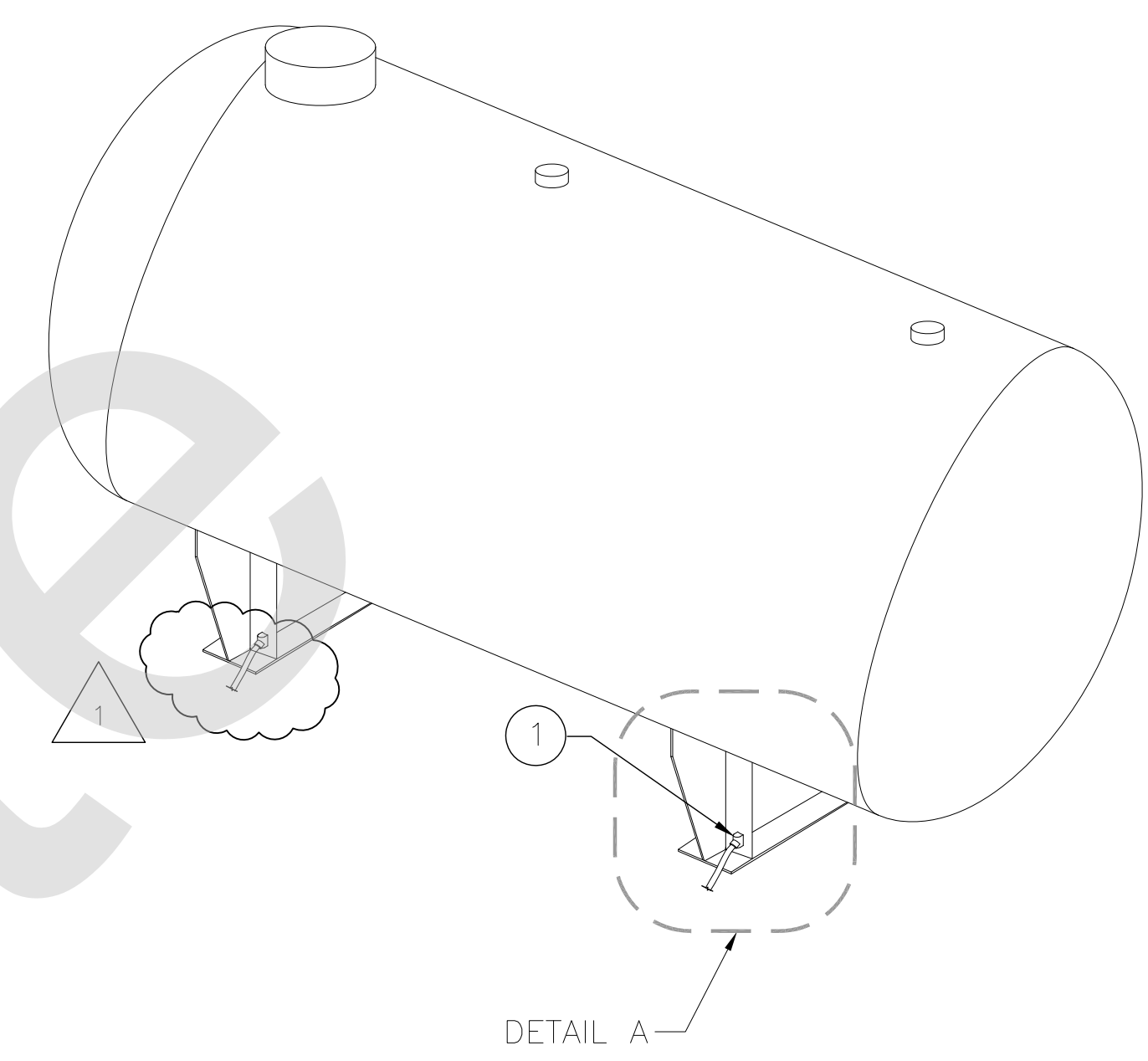
GREEN INSULATED 2/0 AWG WIRE IN CONDUIT TO EQUIPMENT. NOTE 1.

NOTE: THIS DRAWING IS PROVIDED FOR INSTRUCTIONAL DESIGN PURPOSES ONLY BASED ON METROLINX GO TRANSIT DESIGN GUIDELINES AND REQUIREMENTS. THE CONSULTANT SHALL VERIFY FOR LOCAL CODE COMPLIANCE, EXISTING SITE CONDITIONS AND INTER DISCIPLINARY DRAWING COORDINATION. ALL DIMENSIONS AND SPECIFICATIONS SHOULD BE VERIFIED BY CONSULTANT AND/OR CONTRACTOR BEFORE ACTUAL CONSTRUCTION BEGINS.

ENCLOSURE INTERIOR DETAIL



DETAIL 1- GROUND CONNECTION TO GENERATORS AND GENERATOR TANK



DETAIL 2 - GROUND CONNECTION TO VESSELS OR STORAGE TANK GROUNDING

ITEM	QTY	UNIT	DESCRIPTION	MANUFACTURER
1	1	EA	COMPRESSION TERMINAL, 2 HOLE, FOR 4/0 WIRE	BURNDY: YGA28-2N OR EQUIVALENT
2	2	EA	DURIUM BOLT 1/2"-13 X 1", W/NUT	BURNDY: 50X100 HEB BOX OR EQUIVALENT
3	4	EA	DURIUM FLAT WASHER 1/2"	BURNDY: 50 FW BOX OR EQUIVALENT
4	4	EA	DURIUM SPRING WASHER 1/2"	BURNDY: 50 SW BOX OR EQUIVALENT
5	1	EA	COPPER GROUND BUS	(GENERIC)
6	PER DESIGN	EA	COMPRESSION TERMINAL, 2 HOLE, FOR 2/0 WIRE AND DURIM BOLT NUT AND WASHERS	BURNDY: YGA26-2N OR EQUIVALENT
7	1	EA	BUSHING	(GENERIC)
8	2	EA	ANCHOR, SS 304, 316	HILTI: KB3 1/4" X 2-1/4" OR EQUIVALENT
9	2	EA	27mm CONDUIT CLAMP 1-HOLE	T&B: 1278 OR EQUIVALENT
10	PER DESIGN	N/A	27mm CONDUIT	(GENERIC)

ITEM	QTY	UNIT	DESCRIPTION	MANUFACTURER
1	2	EA	VERTICAL WIRE TO VERTICAL STEEL SURFACE EXOTHERMIC CONNECTION	BURNDY: B-2741 OR EQUIVALENT

PLOTTED BY: PAULRI PLOTTED DATE: 2015/04/01 PAPER SIZE AT FULL: ANSI D (22.00 X 34.00 INCHES) FILE: \\FILE-RGDC01\DEPT\GOIC\07 PROGRAM MANAGEMENT & STANDARD\SPMPS DESIGN STANDARD\7 REFERENCE MATERIAL\24 ELECTRIFICATION\GROUNDING AND BONDING STANDARD DRAWINGS\MXS-200-010 REV. 1.DWG

REFERENCE DRAWINGS		ISSUE		REVISIONS	
DWG NO.	TITLE	NO.	DATE	ISSUED FOR	REV. DATE
		2	15/04/06	FINAL DESIGN	
		1	15/02/09	90% DESIGN	
		0	15/01/16	60% DESIGN	
		1	15/04/15	ADDED A SECOND GROUNDING TO THE VESSEL	

DRAWN BY: RCW 14/12/11	DESIGNED BY: SXF 14/12/11
CHECKED BY: CTG 15/01/16	APPROVED BY: ZBT 15/01/16
SCALE: NTS FULL SIZE ONLY	



TRACTION ELECTRIFICATION  
GROUNDING AND BONDING  
STANDARD INSTALLATION DESIGN DETAILS  
ELECTRICAL AND MECHANICAL EQUIPMENT

CONTRACT NO. RQ-2011-PP-032	DWG. NO. MXS-200-010	REV. 1	SHEET 18/26
--------------------------------	-------------------------	-----------	----------------