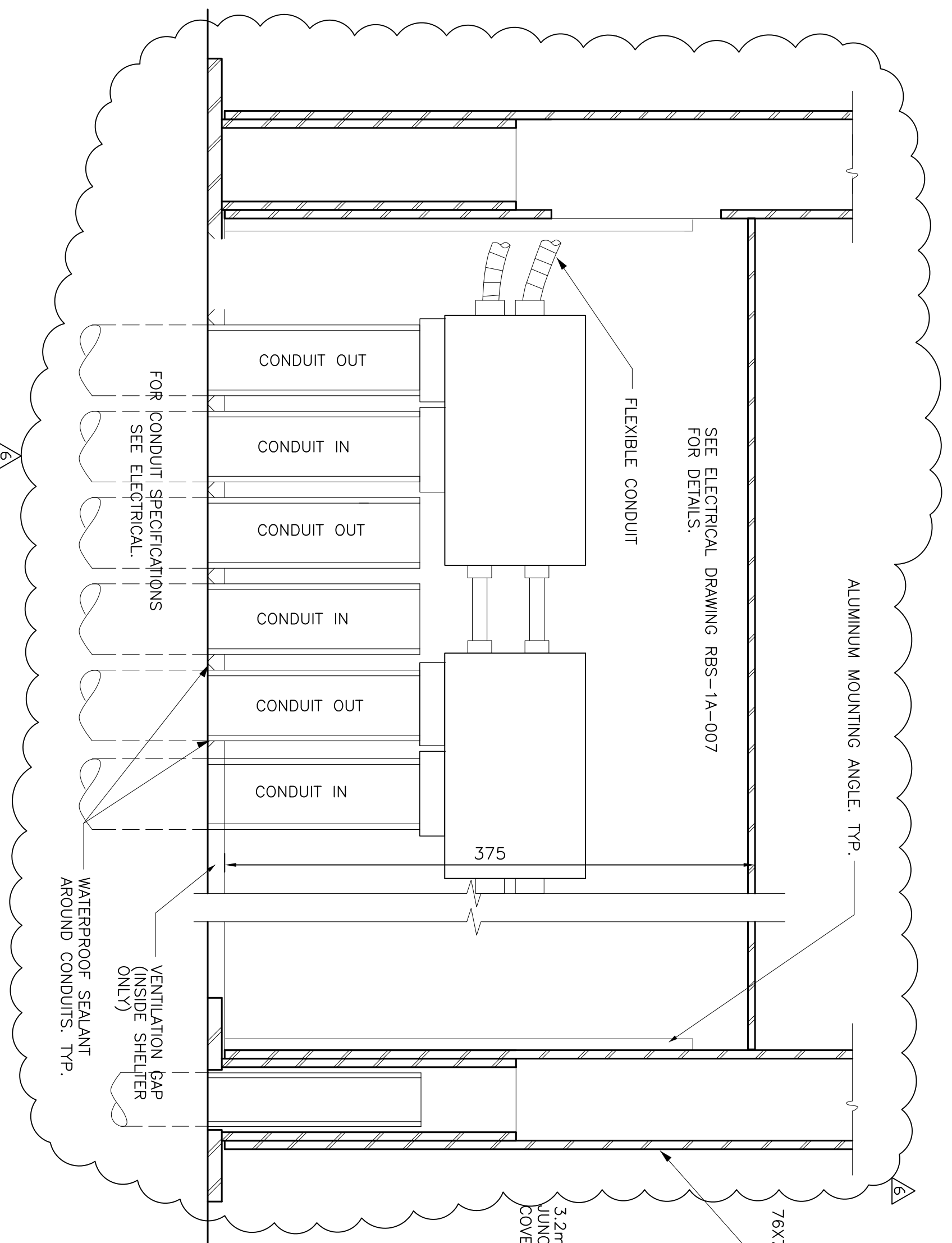
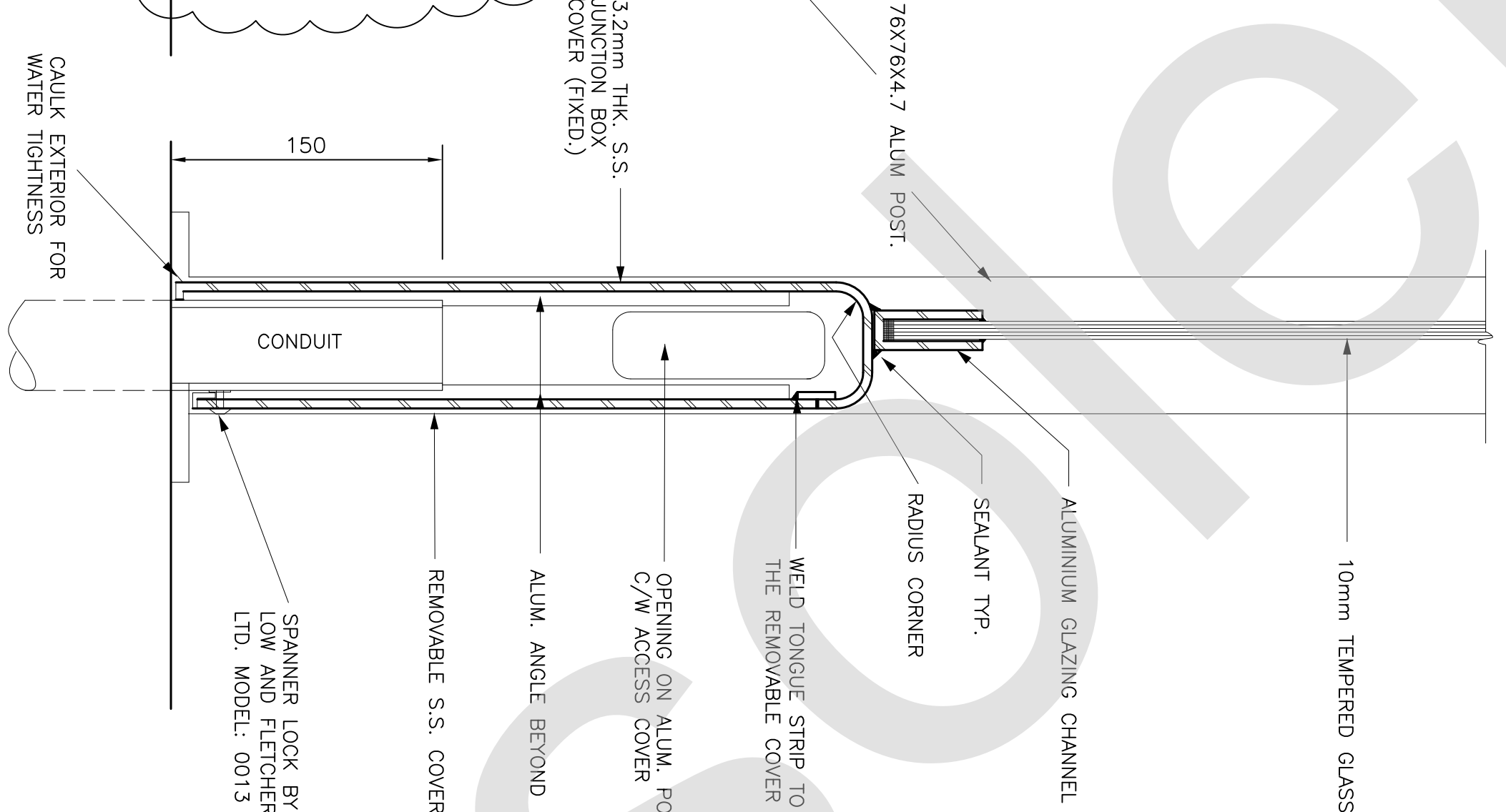


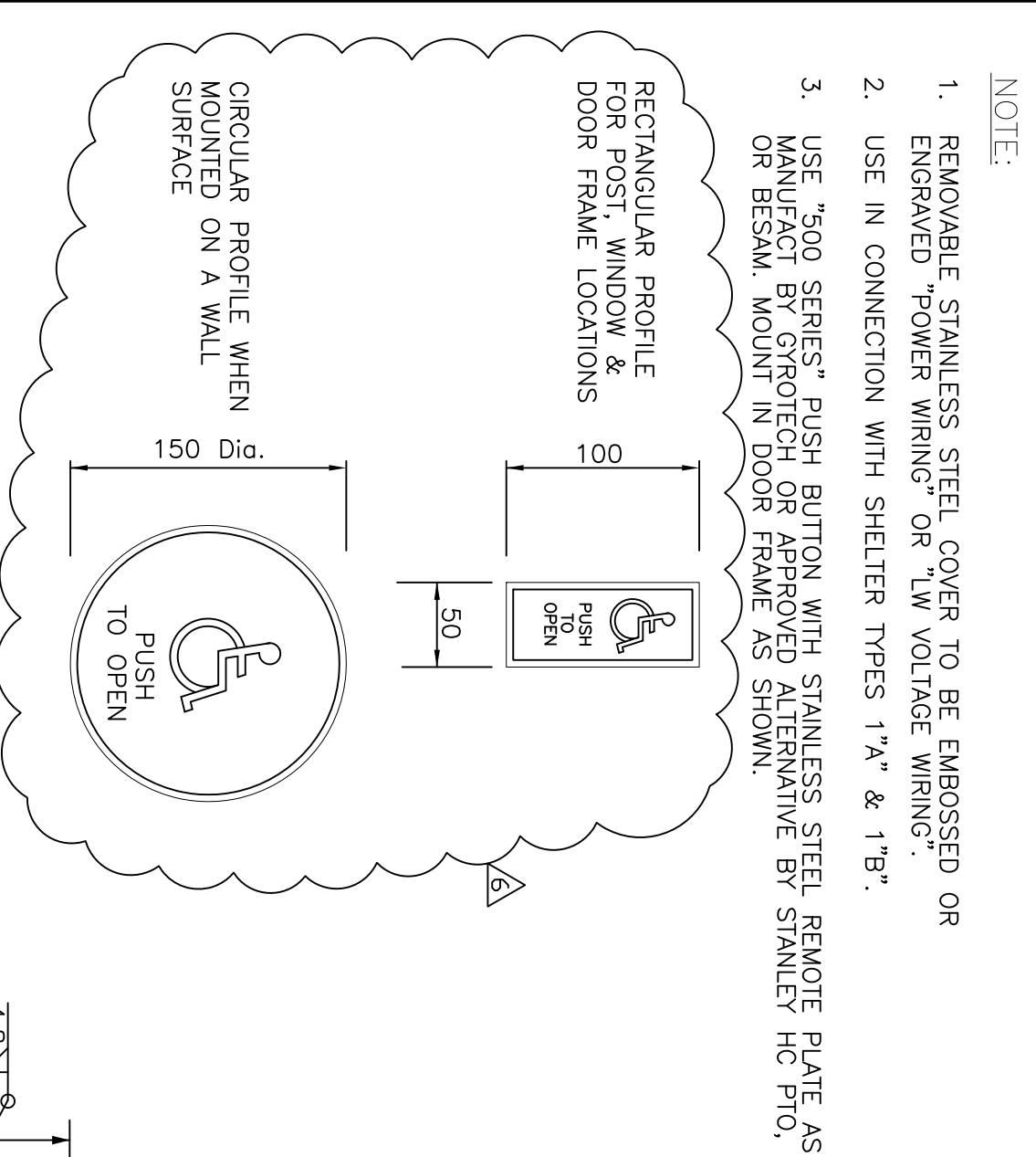
NOTE:
1. REMOVABLE STAINLESS STEEL COVER TO BE EMBOSSED OR ENGRAVED "POWER WIRING" OR "LOW VOLTAGE WIRING"



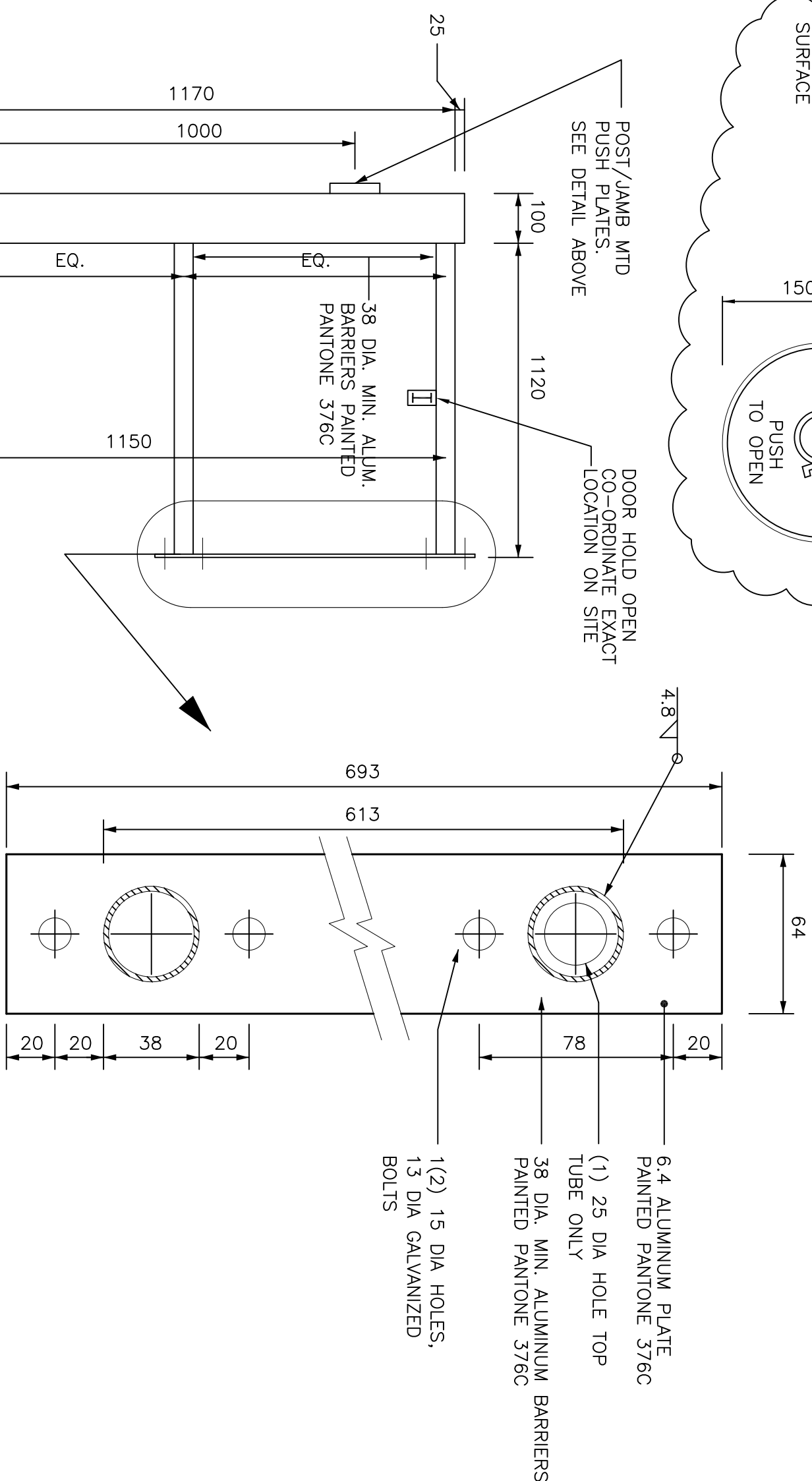
2 SECTION A
SCALE: N.T.S.
RBS-1A-004



3 SECTION B
SCALE: N.T.S.
RBS-1A-004



NOTE:
1. REMOVABLE STAINLESS STEEL COVER TO BE EMBOSSED OR ENGRAVED "POWER WIRING" OR "LOW VOLTAGE WIRING".
2. USE IN CONNECTION WITH SHELTER TYPES 1"A" & 1"B".
3. USE "500 SERIES" PUSH BUTTON WITH STAINLESS STEEL REMOTE PLATE AS MANUFACT. BY CYROTECH OR APPROVED ALTERNATIVE BY STANLEY HC PRO. OR BESAM. MOUNT IN DOOR FRAME AS SHOWN.



4 DOOR STOP AND HOLDER DETAIL
SCALE: N.T.S.
RBS-1A-004

METRIC
ALL DIMENSIONS SHOWN ARE IN METRES AND/OR MILLIMETRES UNLESS OTHERWISE NOTED.

NOTE:
THIS DRAWING IS PROVIDED FOR INSTRUCTIONAL DESIGN PURPOSES ONLY BASED ON METROLINX GO TRANSIT DESIGN GUIDELINES AND REQUIREMENTS. THE CONSULTANT SHALL VERIFY THE DESIGN AND CONSTRUCTION OF THE SHELTER AND ALL DIMENSIONS AND SPECIFICATIONS SHOULD BE VERIFIED BY CONSULTANT AND/OR CONTRACTOR BEFORE ACTUAL CONSTRUCTION BEGINS.

REFERENCE DRAWINGS	ISSUE	REVISIONS	DRAWN BY:	DESIGNED BY:
		6 FEB 2015	GF	GO TRANSIT
		5 JUN 2014	GF	GO TRANSIT
		4 DEC 2013	D.S.P	D.S.P
		3 SEPT 2013	D.S.P	D.S.P
		2 AUG 2013	D.S.P	D.S.P
		1 JULY 2012	D.S.P	D.S.P

METROLINX PROJECT NO.

NEW SHELTERS
VAULTED ROOF SHELTER
DETAILS

A Division of Metrolinx

CONTRACT NO. RBS-1A-004

DWG. NO. RBS-1A-004

REV. SHEET 6