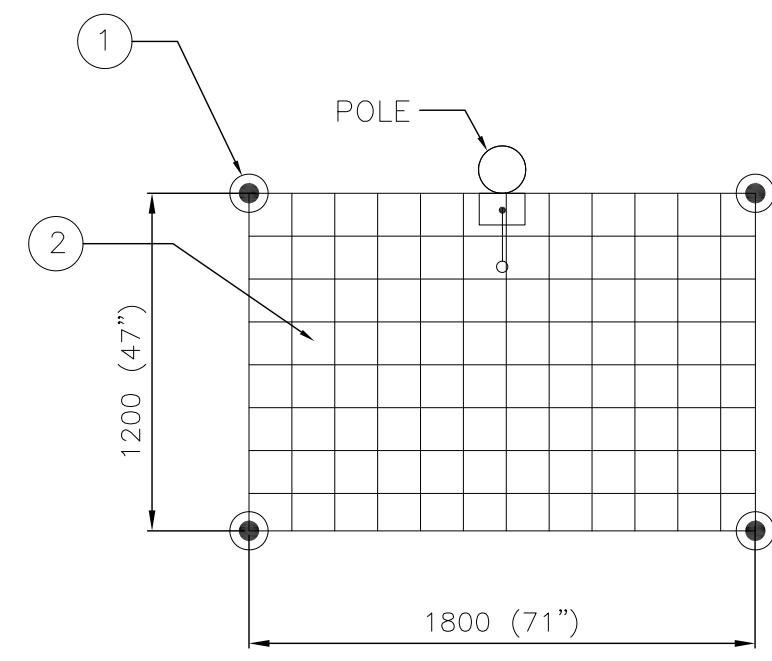
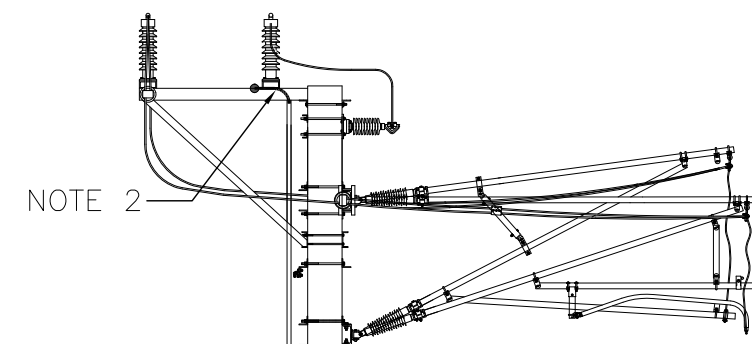
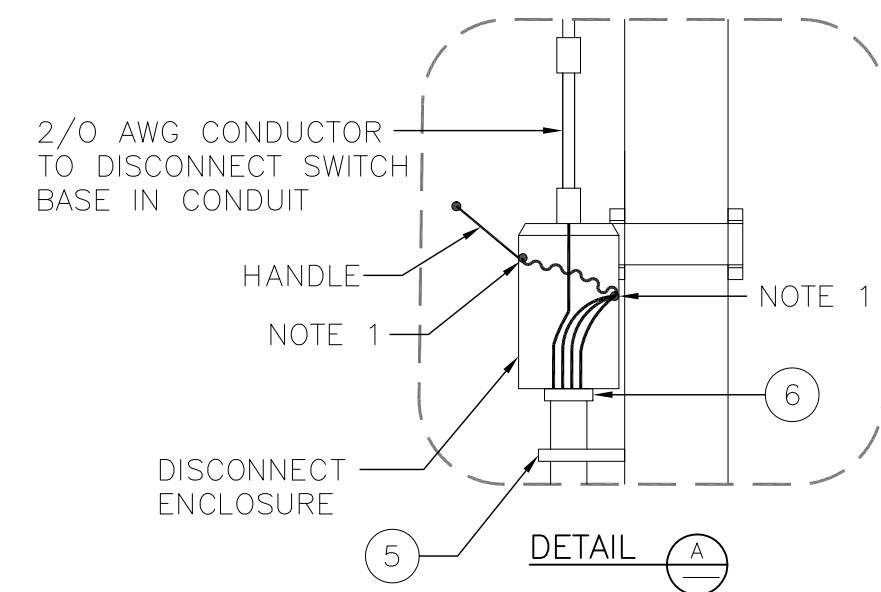


NOTES:

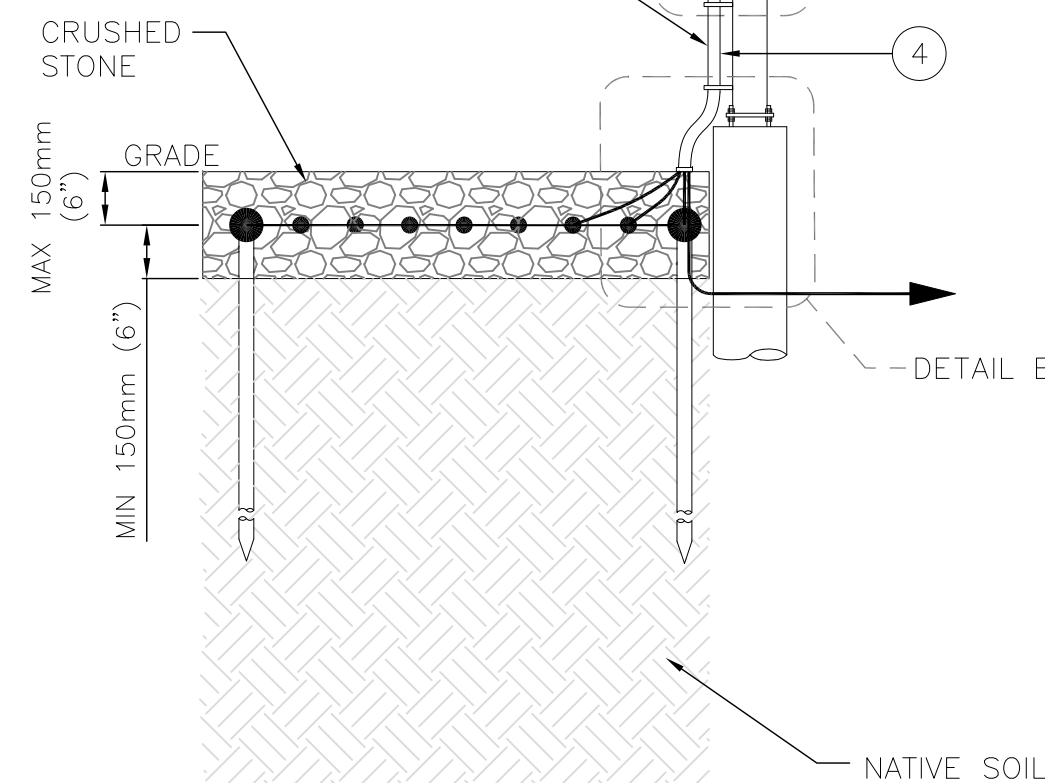
1. TERMINATE GROUND WIRES TO HANDLE AND ENCLOSURE PER MANUFACTURERS SPECIFICATION.
2. 2/0 GROUND WIRE TO DISCONNECT SWITCH DIRECT FROM GROUND ROD.



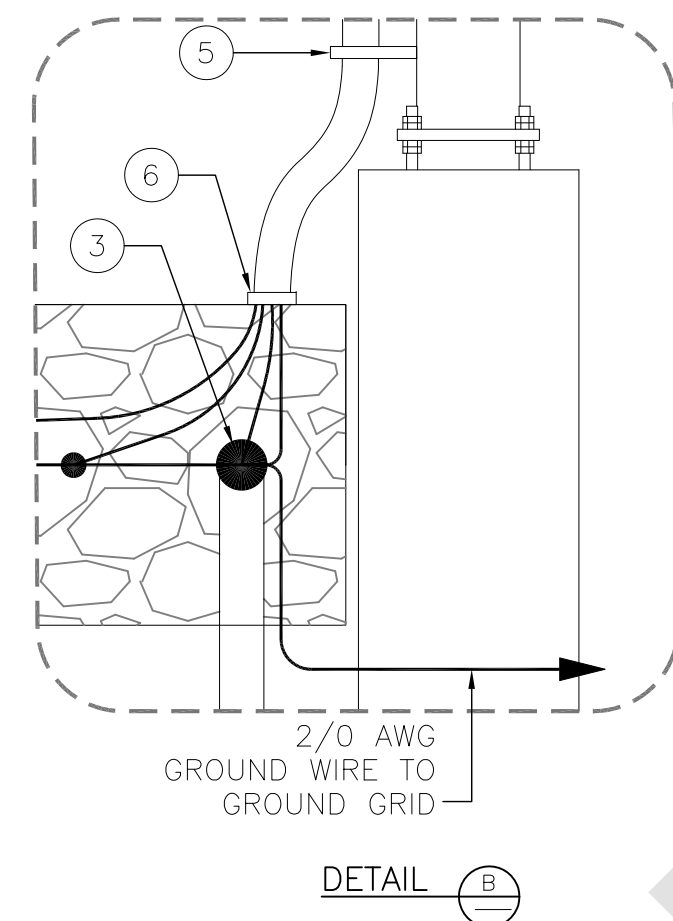
PLAN OF POLE MOUNTED TRACTION POWER DISCONNECT



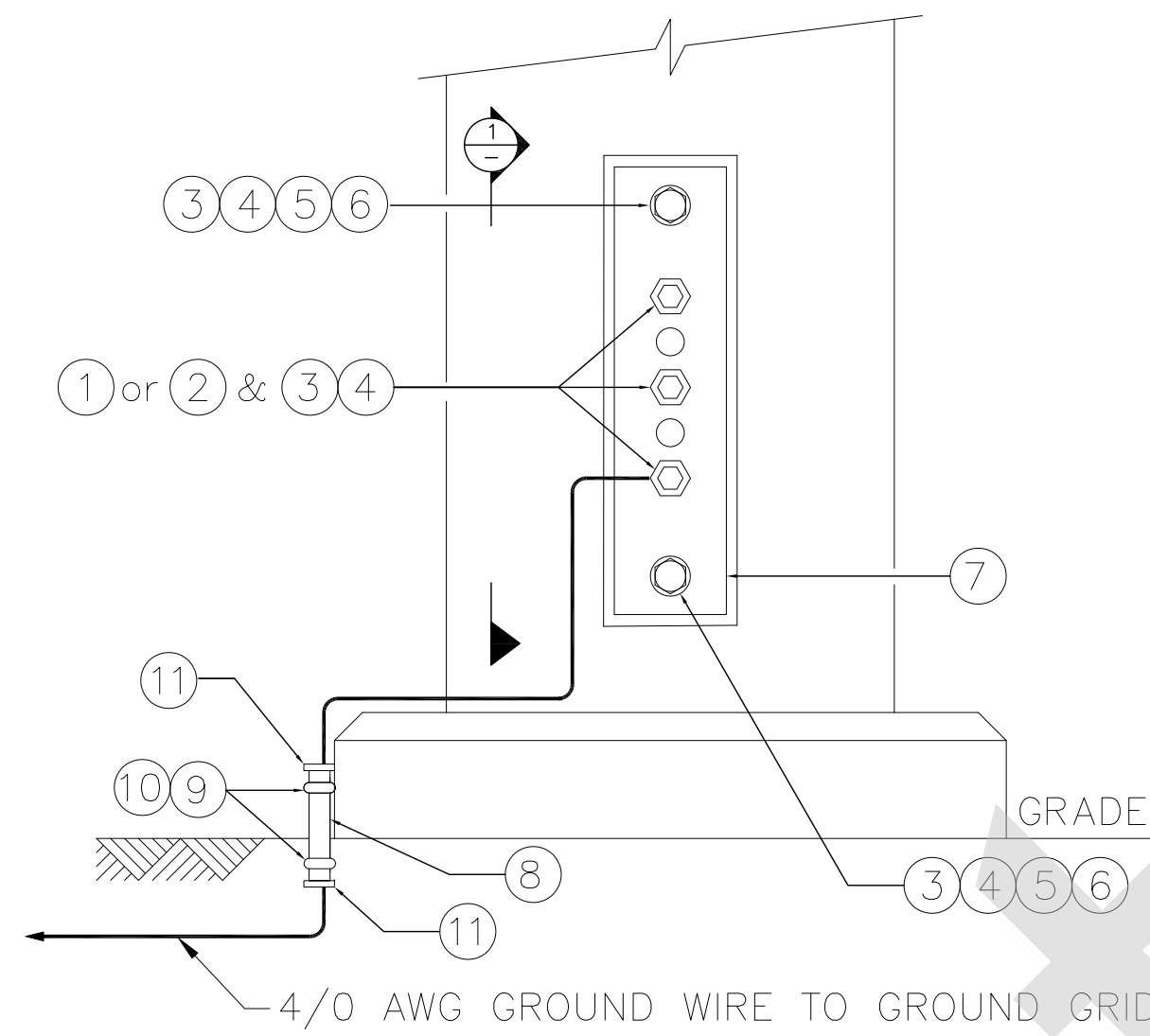
SIDE ELEVATION OF POLE MOUNTED TRACTION POWER DISCONNECT



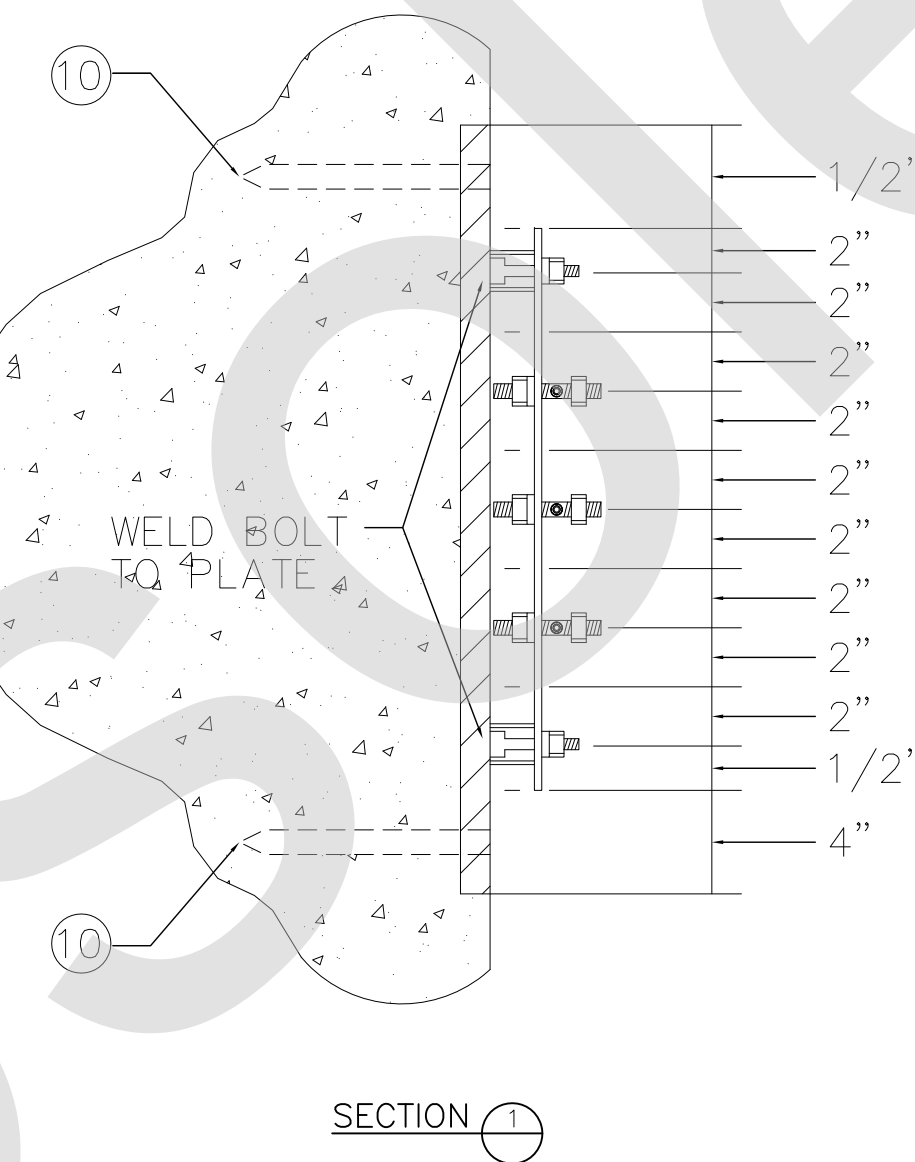
DETAIL 1 - POLE MOUNTED TRACTION POWER DISCONNECT



DETAIL B - GROUND WIRE TO GROUND GRID



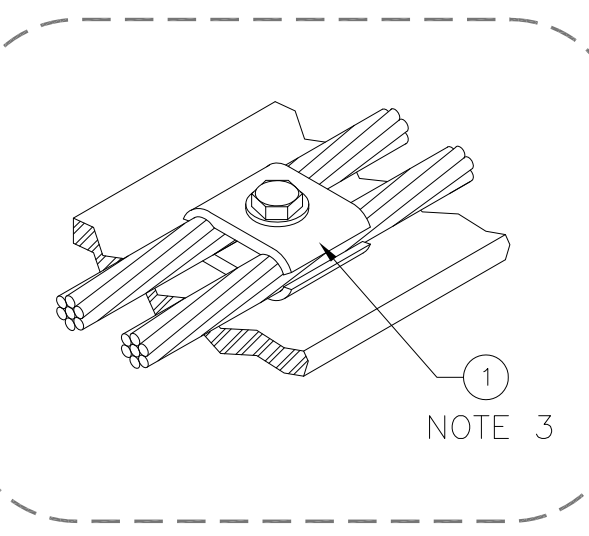
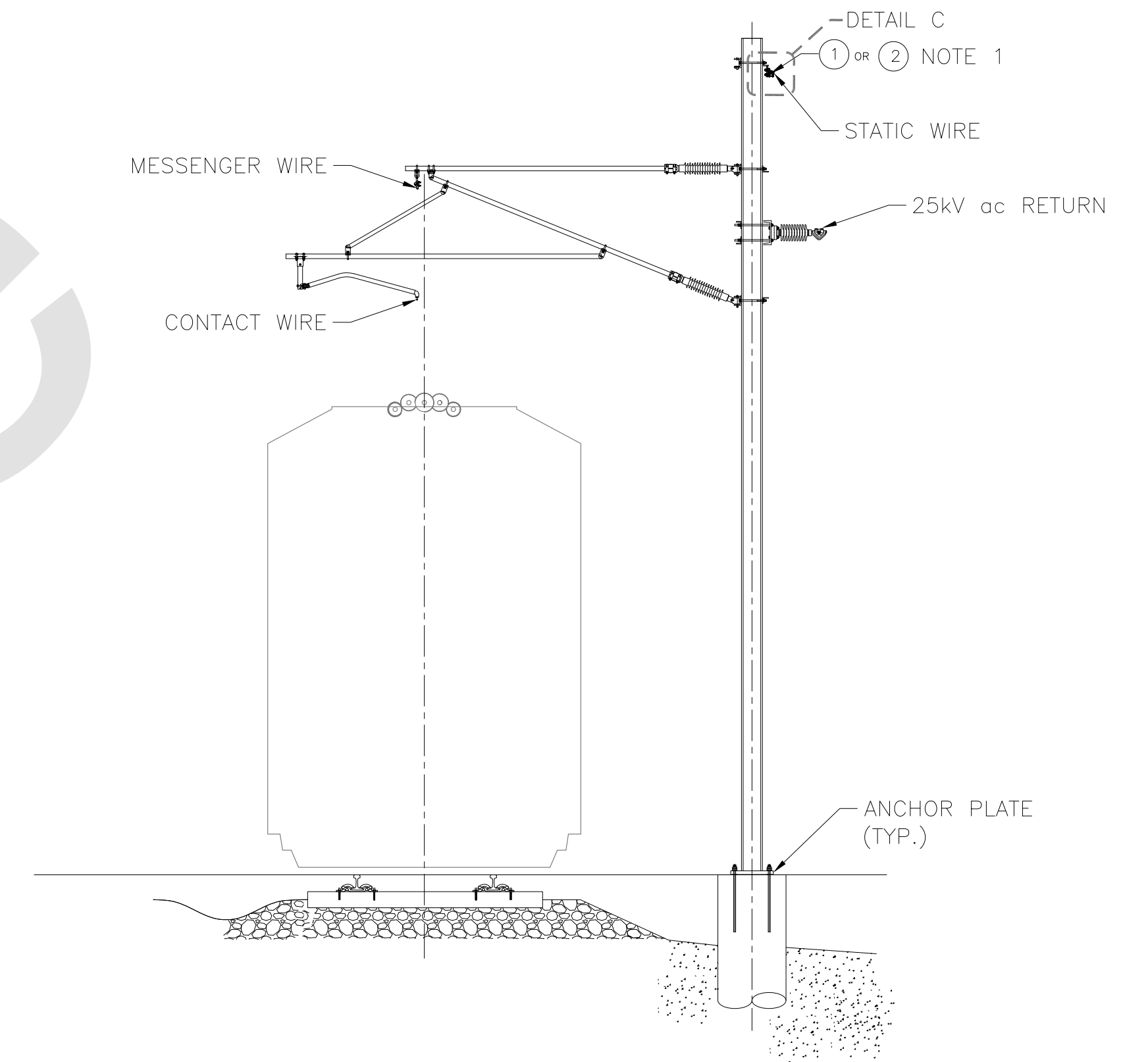
DETAIL 2 - COPPER BAR MOUNTED ON CONCRETE COLUMN



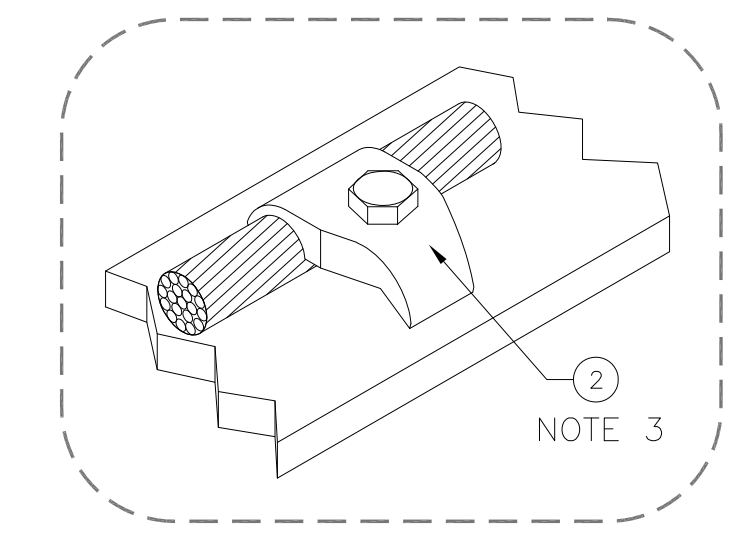
SECTION 1

NOTES:

1. NOT APPLICABLE IN STATION.
2. IN A PASSENGER STATION THE STATIC WIRE IS INSULATED FROM THE OCS POLES AND THE STATION EQUIPMENT IS GROUNDING VIA THE STATION GROUND GRID. OUTSIDE OF A STATION, THE STATIC WIRE IS ELECTRICALLY CONNECTED TO THE OCS POLES AND IS USED FOR GROUNDING, AS SHOWN BELOW.
3. REFERENCE G&B HARDWARE PROVIDED. OCS DESIGNER SHALL PROVIDE/CONFIRM STATIC WIRE CONNECTION DETAIL.



DETAIL C OPTION 1



DETAIL C OPTION 2

DETAIL 3 - CONNECTION TO STATIC WIRE

NOTE: THIS DRAWING IS PROVIDED FOR INSTRUCTIONAL DESIGN PURPOSES ONLY BASED ON METROLINX GO TRANSIT DESIGN GUIDELINES AND REQUIREMENTS. THE CONSULTANT SHALL VERIFY FOR LOCAL CODE COMPLIANCE, EXISTING SITE CONDITIONS AND INTER DISCIPLINARY DRAWING COORDINATION. ALL DIMENSIONS AND SPECIFICATIONS SHOULD BE VERIFIED BY CONSULTANT AND/OR CONTRACTOR BEFORE ACTUAL CONSTRUCTION BEGINS.

PLOTTED BY: PAULRI PLOTTED DATE: 2015/04/01 PAPER SIZE AT FULL: ANSI D (22.00 x 34.00 INCHES) FILE: \\FILE-RGCC01\DEPT\PROGRAM MANAGEMENT & STANDARD\SPMPS DESIGN STANDARDS\124 ELECTRIFICATION\GROUNDING AND BONDING STANDARD DRAWINGS\MXS-200-001.DWG

| ITEM | QTY | UNIT | MATERIAL DESCRIPTION | MANUFACTURER & CAT. NO. |
|------|------------|------|---|---------------------------------|
| 1 | 4 | EA | COPPER CLAD STEEL GROUND ROD 3M X 20MM (10' X 3/4") | (GENERIC) |
| 2 | 1 | EA | CU GROUND MESH, 4' X 6', 6" , #6 AWG | BURNDY: BGM640066 OR EQUIVALENT |
| 3 | 1 | EA | CABLE TERMINAL TO GROUND ROD | BURNDY: B-2566 OR EQUIVALENT |
| 4 | PER DESIGN | N/A | 51mm FLEXIBLE CONDUIT | (GENERIC) |
| 5 | 2 | EA | 51mm CONDUIT CLAMP | T&B: 1281 OR EQUIVALENT |
| 6 | 2 | EA | BUSHING | (GENERIC) |

| ITEM | QTY | UNIT | MATERIAL DESCRIPTION | MANUFACTURER & CAT. NO. |
|------|------------|------|---|--|
| 1 | 3 | EA | SERVIT CONN. (2x#2-2/0) | BURNDY: K2C26B1 OR EQUIVALENT |
| 2 | 3 | EA | SERVIT CONN. (2x#1-4/0) | BURNDY: K2C28B1 OR EQUIVALENT |
| 3 | 5 | EA | LOCK WASHER, 1/2" CADMIUM | (GENERIC) |
| 4 | 5 | EA | NUT HEX, 1/2" x 13 CADMIUM | (GENERIC) |
| 5 | 2 | EA | BOLT, MACH, 1/2- 13x3" LONG C/W NUT | (GENERIC) |
| 6 | 2 | EA | FIBERGLASS REINFORCED POLYESTER INSULATOR W/12mm (1/2") - 13 THREADED HOLES | ERICO: 559686 OR EQUIVALENT |
| 7 | 1 | EA | COPPER GROUND BUS 6mm x 50mm x 425mm (1/2" x 2" x 17") MIN | (GENERIC) |
| 8 | PER DESIGN | FEET | 27mm CONDUIT | (GENERIC) |
| 9 | 2 | EA | 27mm CONDUIT CLAMP | (GENERIC) |
| 10 | 2 | EA | ANCHOR, SS 304 | HILTI: KB3 1/4" X 2-1/4" OR EQUIVALENT |
| 11 | 2 | EA | BUSHING | (GENERIC) |

| ITEM | QTY | UNIT | MATERIAL DESCRIPTION | MANUFACTURER & CAT. NO. |
|------|-----|------|---------------------------------------|------------------------------|
| 1 | 1 | EA | GROUND CONNECTOR FOR COPPER CABLE | BURNDY: GBL30 OR EQUIVALENT |
| 2 | 1 | EA | GROUND CONNECTOR FOR TWO COPPER CABLE | BURNDY: GL2929 OR EQUIVALENT |

| NO. | DATE | ISSUED FOR | REV. | DATE |
|-----|----------|--------------|------|------|
| 3 | 15/04/06 | FINAL DESIGN | | |
| 2 | 15/03/06 | 100% DESIGN | | |
| 1 | 15/02/09 | 90% DESIGN | | |
| 0 | 15/01/16 | 60% DESIGN | | |

| | |
|--------------------------------|---------------------------------|
| DRAWN BY: RCW 14/12/11 | DESIGNED BY: SXF 14/12/11 |
| CHECKED BY: CTG 15/01/16 | APPROVED BY: ZBT 15/01/16 |
| SCALE: NTS FULL SIZE ONLY | |



TRACTION ELECTRIFICATION
GROUNDING AND BONDING
STANDARD INSTALLATION DESIGN DETAILS
OCS POLES AND COLUMNS

| | | | |
|---------------------------------|-------------------------|-----------|---------------|
| CONTRACT NO. RQQ-2011-PP-032 | DWG. NO. MXS-200-001 | REV. 0 | SHEET 9/26 |
|---------------------------------|-------------------------|-----------|---------------|